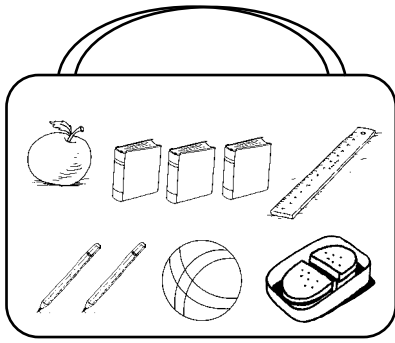
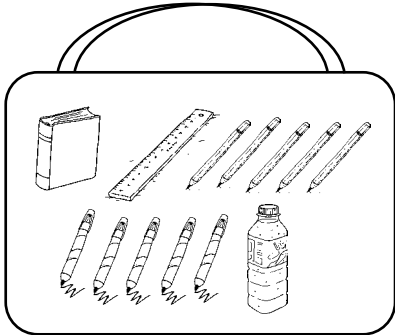


school things 2

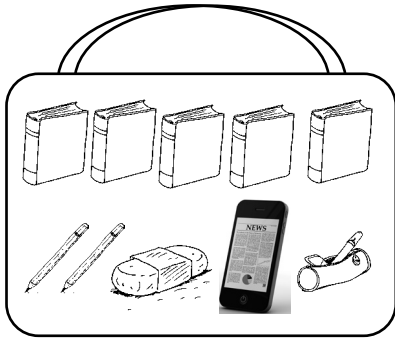
④ What's in the pupil's bags?



In Daniel's bag I can see an apple,



In Susan's bag I can see _____



In the teachers's bag I can see _____

⑤ Look at your neighbour's desk and write down six sentences what she / he has got on the desk.

1. _____
2. _____
3. _____
4. _____
5. _____
6. _____

⑥ Answer the questions with "Yes, I have." or "No, I haven't."

1. Do you have a bottle of water in your bag? _____
2. Do you have sandwiches in your bag? _____
3. Do you have an English book in your bag? _____
4. Do you have a ruler in your pencil case? _____